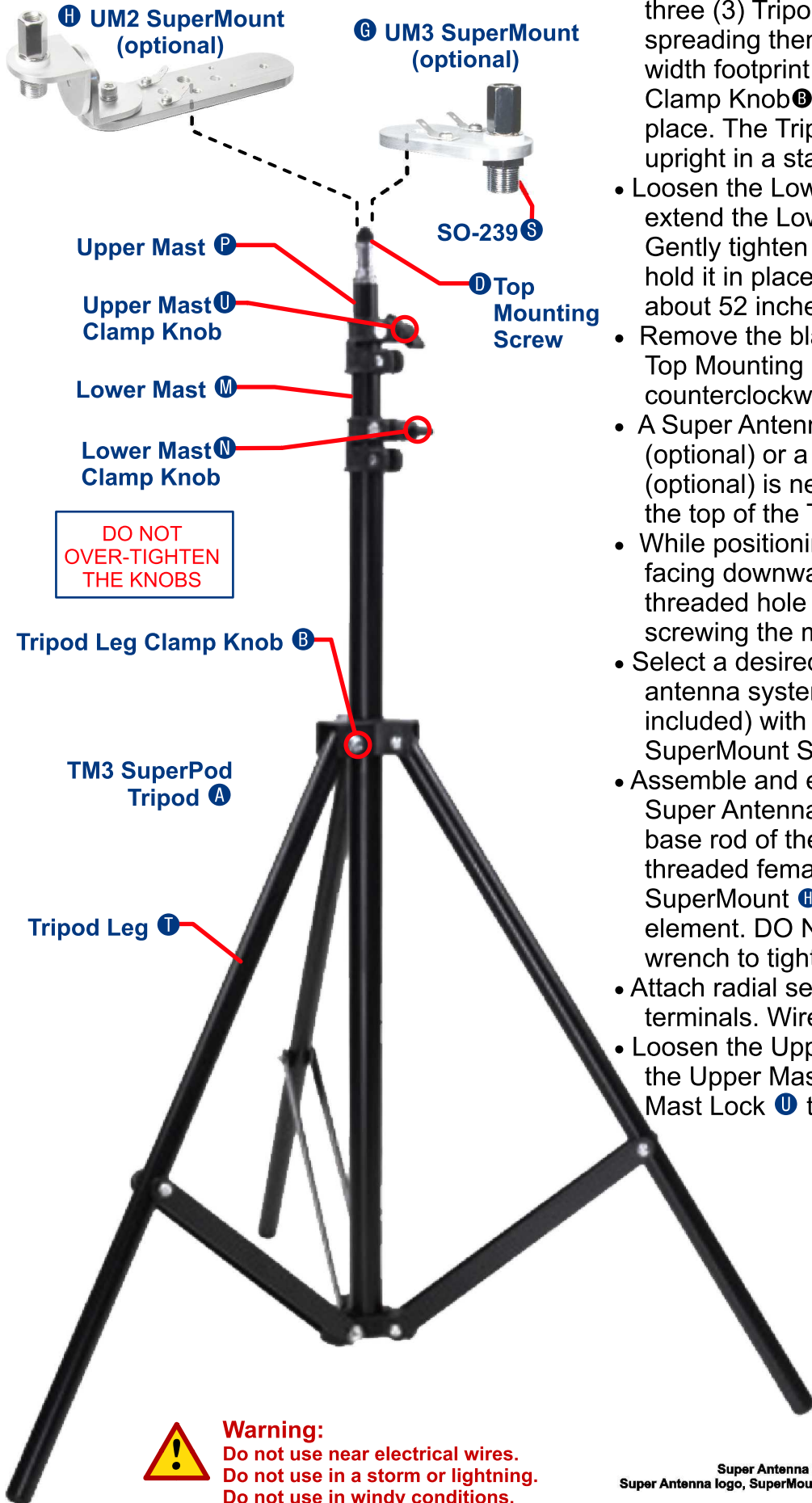


TM3 SuperPod™
Large Tripod for
Portable Antennas



Instructions for Use

- Unpack all the contents of the TM3 SuperPod Tripod **A** package and lay it out on a clean flat surface. Tip the Tripod **A** upright.
- Loosen the Tripod Leg Clamp Knob **B** by rotating it counterclockwise about 2 turns. Extend all three (3) Tripod Legs **T** out at the bottom while spreading them outward evenly to the maximum width footprint. Gently tighten the Tripod Leg Clamp Knob **B** to hold the Tripod Legs **T** in place. The Tripod **A** should now be standing upright in a stable position.
- Loosen the Lower Mast Clamp Knob **N** and fully extend the Lower Mast **M** by sliding it upward. Gently tighten the Lower Mast Clamp Knob **N** to hold it in place. The top of the mast will now be about 52 inches (132cm) high.
- Remove the black plastic protection cap from the Top Mounting Screw **D** by rotating it counterclockwise. Save the cap for later use.
- A Super Antenna model UM3 SuperMount **G** (optional) or a model UM2 SuperMount **H** (optional) is needed now, to attach an antenna to the top of the Tripod.
- While positioning the SO-239 **S** coaxial connector facing downward, attach the SuperMount plate's threaded hole to the Top Mounting Screw **D** by screwing the mount clockwise.
- Select a desired operating position for the antenna system. Attach a coaxial cable (not included) with PL-259 connector to the SuperMount SO-239 **S** UHF connector.
- Assemble and extend the antenna element, MP1B Super Antenna (optional, not shown). Screw the base rod of the antenna into the bright metal threaded female nut (3/8" - 24 thread) of the SuperMount **H**. Hand-tighten the antenna element. **DO NOT USE** a spanner, pliers, or a wrench to tighten any of the tripod fittings.
- Attach radial sets to the mount connector terminals. Wires may droop down to the floor.
- Loosen the Upper Mast Lock **U** slightly, and raise the Upper Mast **P**. Gently tighten the Upper Mast Lock **U** to secure it at the desired height.
 - Dress the coaxial cable and radials down along the Tripod Legs. Extend the radials out loosely, or to anchors. Securely arrange all the attached wires and cable.
 - The TM3 SuperPod **A** is now set up and ready for use.



Warning:
Do not use near electrical wires.
Do not use in a storm or lightning.
Do not use in windy conditions.